

### DIMENSIONS - MM

PART NUMBER	A	B	C	D	E	F	G	H	I
92820	5.0	1/4" NPT (F)	23.0	32.0	26.0	78.0	105.0	115.0	105.0

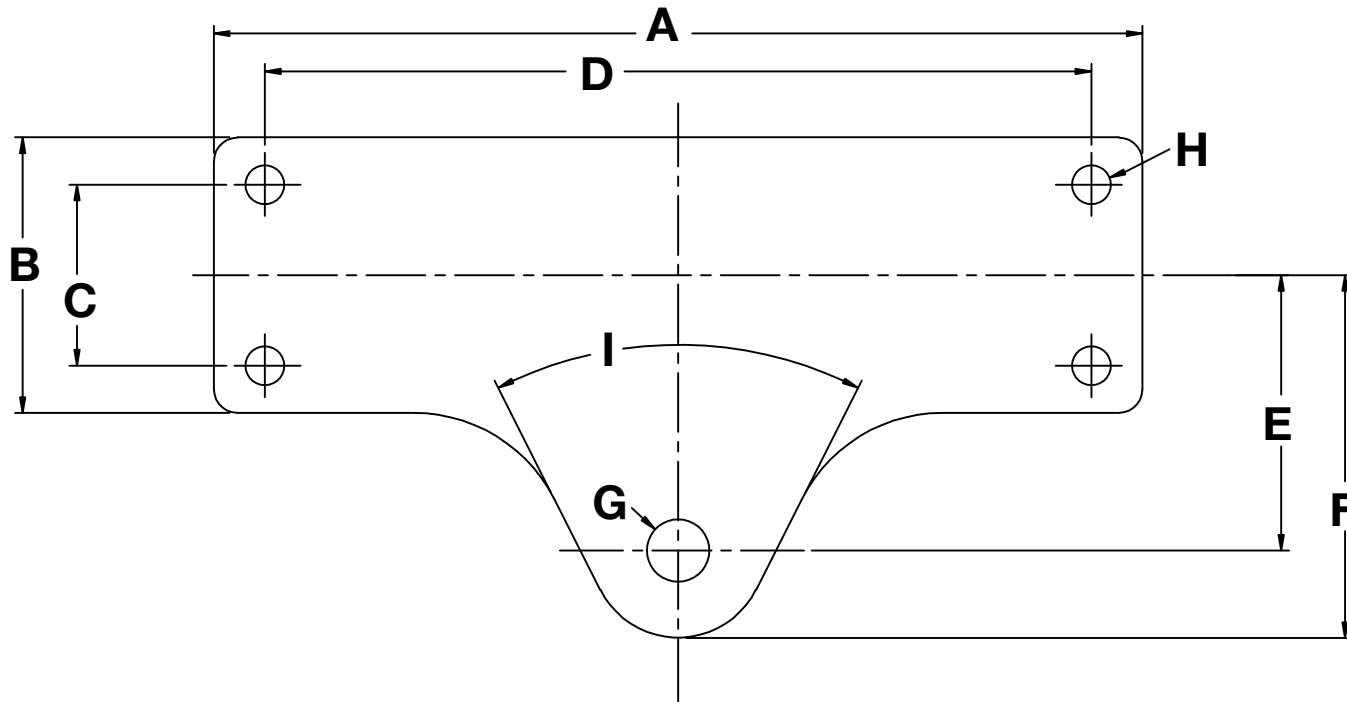
\* All measurements in millimeters, unless otherwise noted, +/- 1mm.

### DIMENSIONS - IN

PART NUMBER	A	B	C	D	E	F	G	H	I
92820	0.20	1/4" NPT (F)	0.91	1.26	1.02	3.07	4.13	4.53	4.13

\* All measurements in inches, unless otherwise noted, +/- .039".

\*\* All fittings are NPT, unless otherwise noted.



### DIMENSIONS - MM

PART NUMBER	A	B	C	D	E	F	G	H	I
92820-92827-92828	118.0	35.0	23.0	105.0	35.0	46.1	8.0	5.0	54°

\* All measurements in millimeters, unless otherwise noted, +/- 1mm.

### DIMENSIONS - IN

PART NUMBER	A	B	C	D	E	F	G	H	I
92820-92827-92828	4.64	1.36	0.90	4.13	1.38	1.81	0.31	0.20	54°

\* All measurements in inches, unless otherwise noted, +/- .039".

\*\* All fittings are NPT, unless otherwise noted.